

HSF

Electrical Specification:
 Current Rating: 5A
 Voltage Rating: 500V AC/DC
 Withstanding Voltage: 1000VAC For 1 Minute
 Insulation Resistance: 1000M Ω Min
 Ambient Temperature: -55°C ~ +105°C.

Material:
 Insulator: PBT+25% Glass Fiber (UL94V-0).
 Contact: Brass, Gold Plated.
 Shell Contact : Steel, Nickel Plated.

Ordering Information

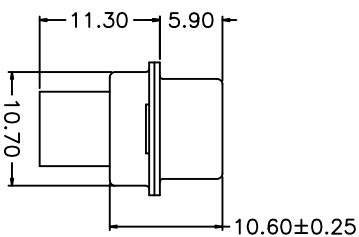
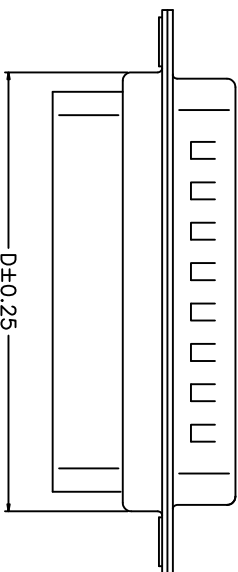
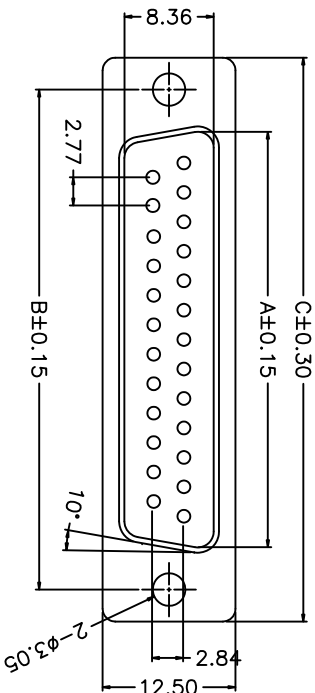
BT6221 ** M * * 01 B09

No. Of Pins
 09=9Pin
 15=15Pin
 25=25Pin
 37=37Pin

Type
 M=Male

Contact Plated
 U=Gold Flash
 N=Nickel Plated

Color
 B=Black



Position	A	B	C	D
9M	16.92	24.99	30.80	19.30
15M	25.25	33.32	39.20	27.70
25M	38.96	47.04	53.10	41.10
37M	55.42	63.50	69.40	57.30

REV	DATE	MODIFICATION DESCRIPTION	CHANGE	APPROVE	OPERATION		DRAW	Zhangyalin	09/01/19	SCALE		SHEET	1/1	PART NO.	BT6221**M*B01B09
					X.X	±0.35				DESIGN	UNIT				
A0	09/01/19	NEW			X.XX	±0.25	CHECK	Shine	09/01/19	A4	1/1			D-SUB Connector Crimp Male Housing	
					Angle	± 5'	APPROVE	Bill	09/01/19						
					DIM	TOL									



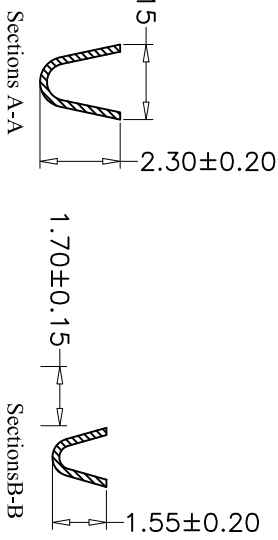
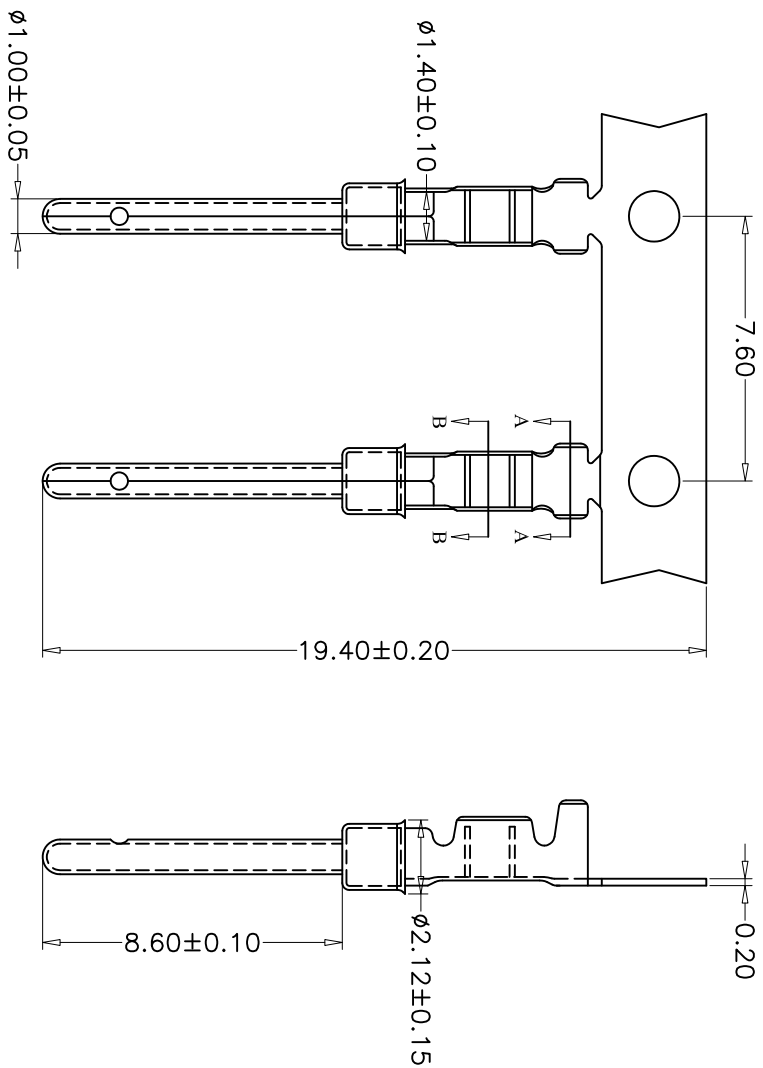
SPECIFICATIONS

- Material: Brass
- Finish: Gold Plated

Ordering Information

BT6221 T M * 01 B09

Type
M=Male
Contact Plated
F=Gold Flash



OPERATION	X.X	±0.40	DRAW	Zhangyali in	09/01/19	SCALE	-
	X.XX	±0.25	DESIGN			UNIT	mm
	X.XXX	±0.15	CHECK	Fanyi jun		SIZE	A4
Angle		± 3'	APPROVE	CK		SHEET	1/1
DIM						PROJ.	
REV	DATE	MODIFICATION DESCRIPTION	CHANGE	APPROVE		PART NO.	BT6221TM*01B09
A0	09/01/19	NEW				D-SUB Connector Crimp Male Terminal	

